



GREENFIELD RECREATION DEPARTMENT

20 Sanderson Street, Greenfield, MA 01301
PHONE (413) 772-1553 ☎ FAX (413) 773-0115
www.greenfieldrecreation.com



CALL TO ARTISTS:

Greenfield Winter Carnival Ice Walk in Need of Sculptors

11/16/2017

The Greenfield Recreation Department invites local artists to carve ice sculptures.

Project Overview

Ice Sculpture Carving, organized by the Greenfield Recreation Department, is part of Greenfield's 96th Annual Winter Carnival, February 2nd-4th, 2018. Artists are asked to carve an ice sculpture with an original design as part of the Ice Walk of Winter Carnival. The sculptures will contribute to the downtown vitality and encourage pedestrian engagement. On site carving will take place on Friday, February 2nd. Sculptures will be on display throughout the weekend and longer (weather dependent) Artists will be paid a \$100 stipend as well as compete for a total of \$1,000 in prize money distributed between 1st, 2nd, & 3rd Place. The public will cast ballots throughout the weekend for their favorites to determine the winners. Winners are announced on Sunday, February 4th at approximately 3:45pm at Beacon Field.

Process

- Artists must submit designs and a short biography to the Recreation Department by December 13th, 2017
- Selections will be made by the Recreation Department.
- Submissions will be considered under rolling admission and kept on file for future consideration.
- Artists will be notified if and when their designs are selected.

Design Guidelines

- Artists will be provided with 2 blocks of ice. Each block weighs 300lbs and measures 12"x20"x40". Blocks can be set up in three different orientations indicated on the application form.
- Design must be appropriate for public space
- Ice Blocks will sit on an illuminated white box approximately 2 ft high, 4 ft wide, and 4 ft deep. Please specify if you would like a specific color for your sculpture to be illuminated in.

Publicity

- The Ice Walk will be publicized in our Winter Carnival program, poster, social media, and website.
- Sculptors will be credited for their work.

For questions, please contact the Recreation Department at (413)772-1553.

Submit all required materials to:

Greenfield Recreation Department
20 Sanderson Street
Greenfield, MA 01301

or kelly.jenkins@greenfield-ma.gov

We Create Community Through People, Parks, & Programs!



GREENFIELD RECREATION DEPARTMENT

20 Sanderson Street, Greenfield, MA 01301
PHONE (413) 772-1553 ☎ FAX (413) 773-0115
www.greenfieldrecreation.com



Winter Carnival Ice Sculptor Application

Submit all required materials to:

Greenfield Recreation Department
20 Sanderson Street
Greenfield, MA 01301

or

kelly.jenkins@greenfield-ma.gov

Artist Name

Mailing Address

Home Phone

Cell Phone

Email

Website URL (If Applicable)

I fully understand and agree to all the terms set forth in this application/call to artists.

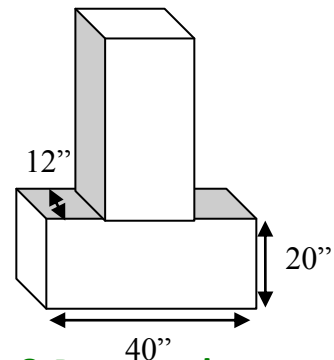
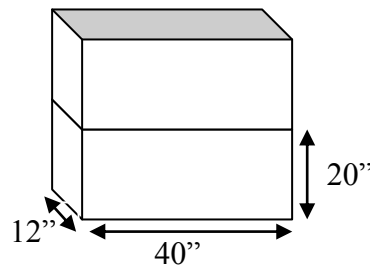
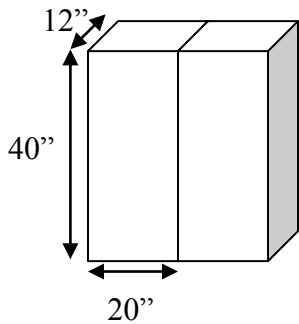
Signature

Date

Application checklist

- Completed Application with artists signature
- Attach a design sketch
- Attach a short biography and samples of your work

Please circle the following Ice Block Orientation you would prefer for your site:



We Create Community Through People, Parks, & Programs!